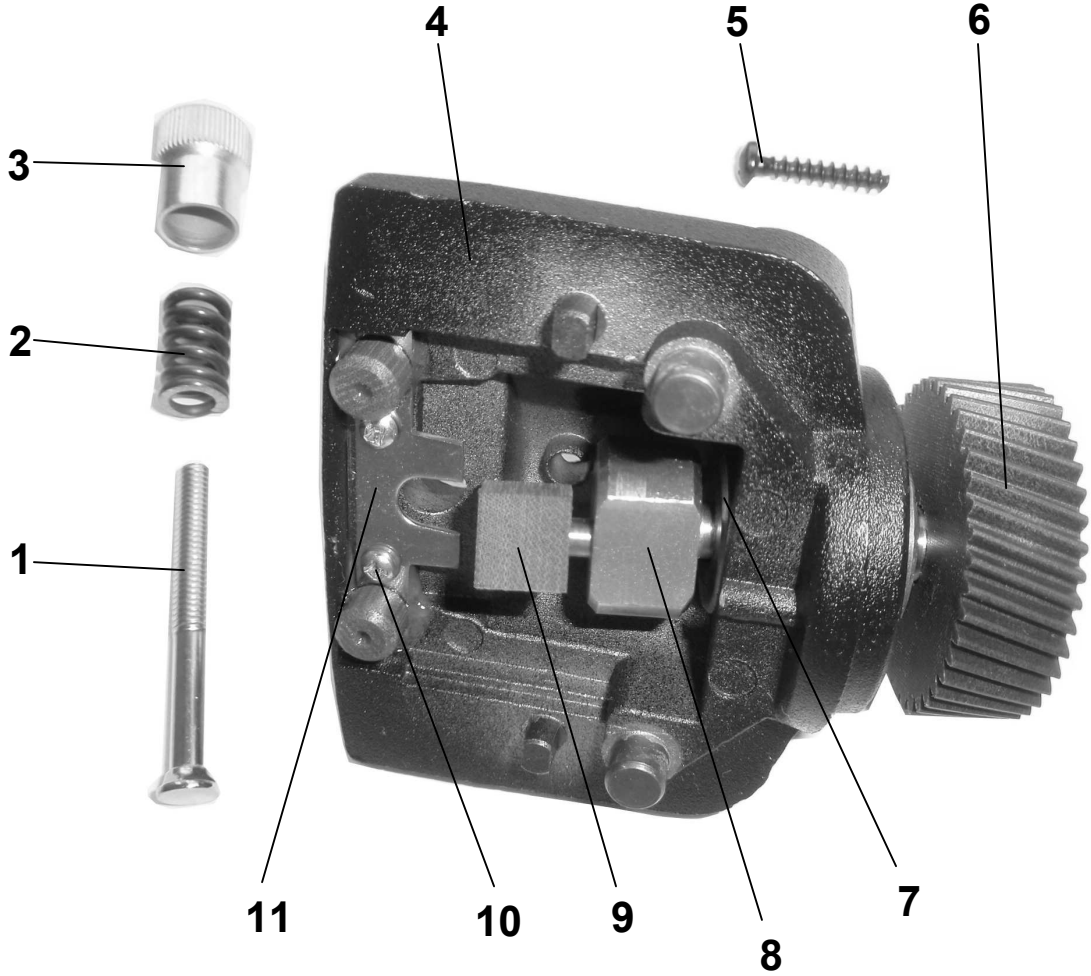


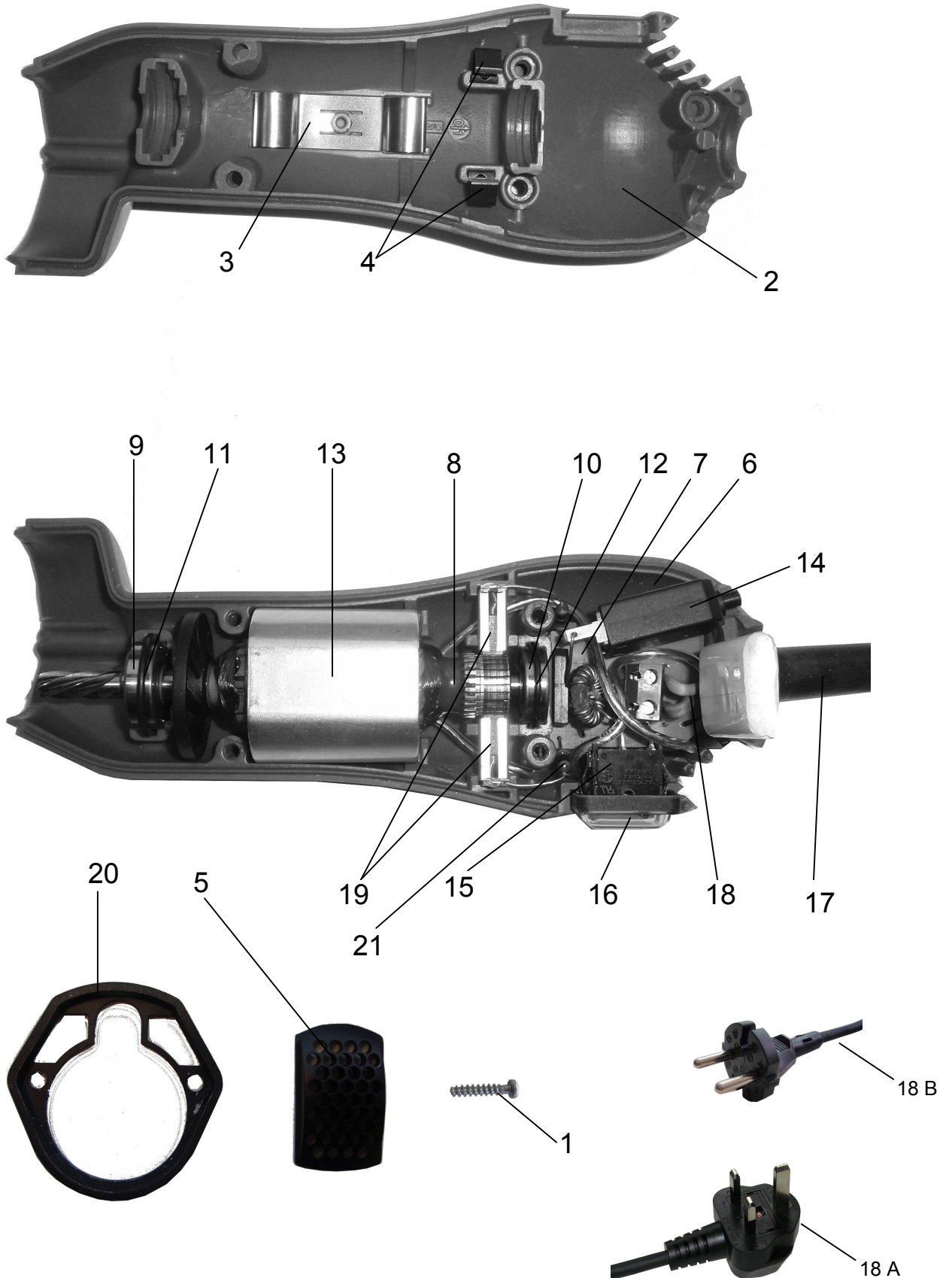
7 EXPLODED VIEW / SPARE PARTS

7.1 Dogli Head II



Pos	Description	Part-No.
1	round-head bolt	19-3012011
2	pressure regulation spring	19-3012014
3	pressure regulation nut	19-3012015
4	clipping head housing	19-5020220
5	screw (2 pieces)	9040002000042
6	gearwheel with shaft	19-3012102
7	bearing with groove	19-3012008
8	ms – eccentric	19-3012100
9	hgw – eccentric	19-3012104
10	screw (2 pieces)	9022000600042
11	metal plate with sliding pin	19-3017220
	sliding pin (2 pieces in pos.11)	19-3017222
	comb	on request
	cutter	on request

7.2 Motor (Typ 1400-10)



Pos	Description	Part-No.
1	screw 4,0 x 20 (5 pieces)	9040002000042
2	motor housing – upper part, dogli	19-8001073
3	flat spring	19-0300029
4	spring for carbon brushes (2 pieces)	19-0300030
5	air filter, Cutli	19-8001044
6	motor housing – lower part, dogli	19-8001015
7	circuit plate 0,4 A complete	19-8001030
8	rotor complete with No. 9, 10	19-8001040
9	ball-bearing 608 2Z (gearside)	19-0300003
10	ball-bearing 626 2Z (collectorside)	19-3007307
11	O-ring for bearing 608 2Z	19-0300024
12	O-ring for bearing 626 2Z	19-3007305
13	ongoing magnetic field	19-8001038
14	motor protection switch 0,4 A	19-0350410
15	on and off switch	19-8001034
16	on and off switch cap	19-8001036
17	cable protection	59-0020213
18A	lead (cable) with plug (EURO)	19-8001046
18B	lead (cable) with plug (GB)	19-8001048
19	carbon brushes (2 pieces)	19-0300005
20	adaptor	19-8001828
21	inductor	19-7002080