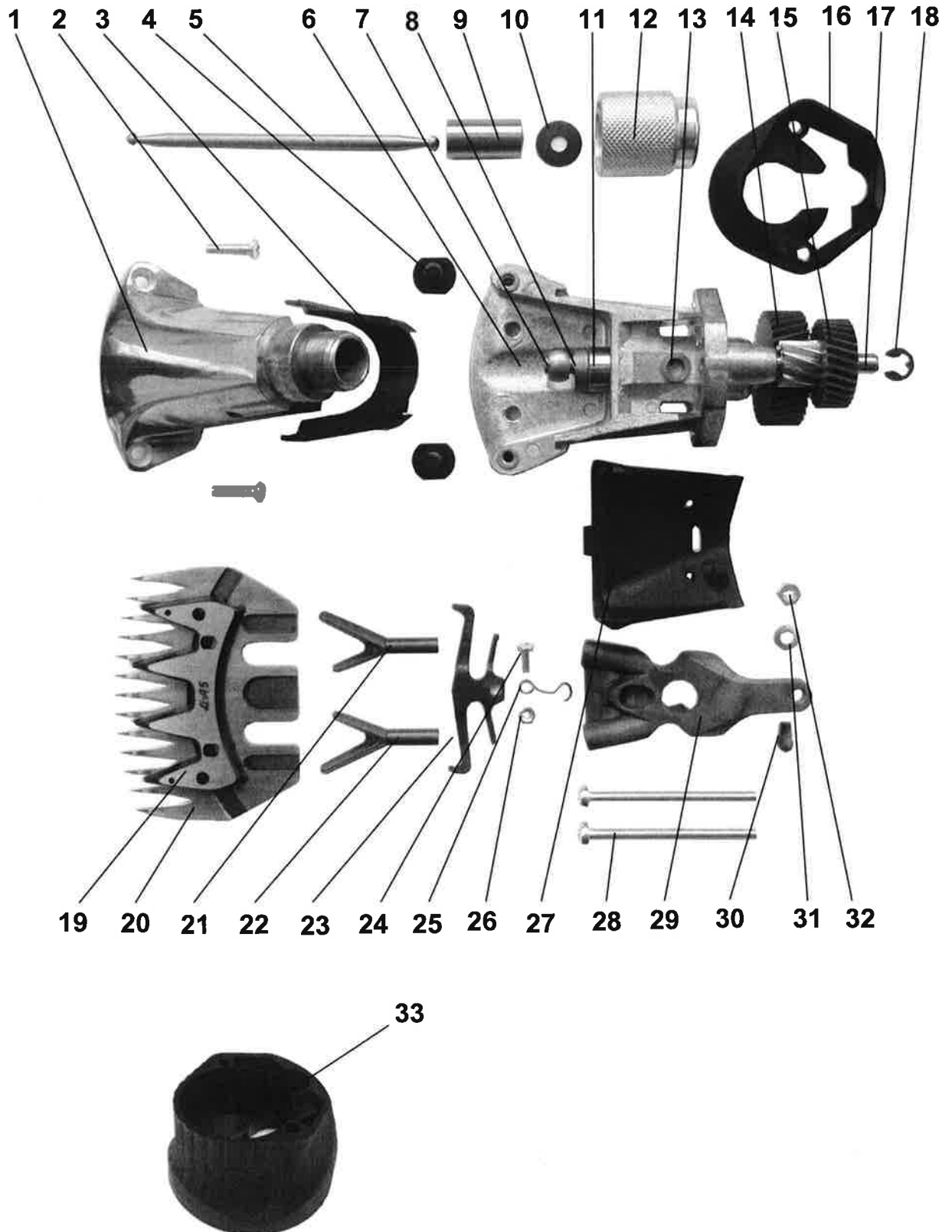


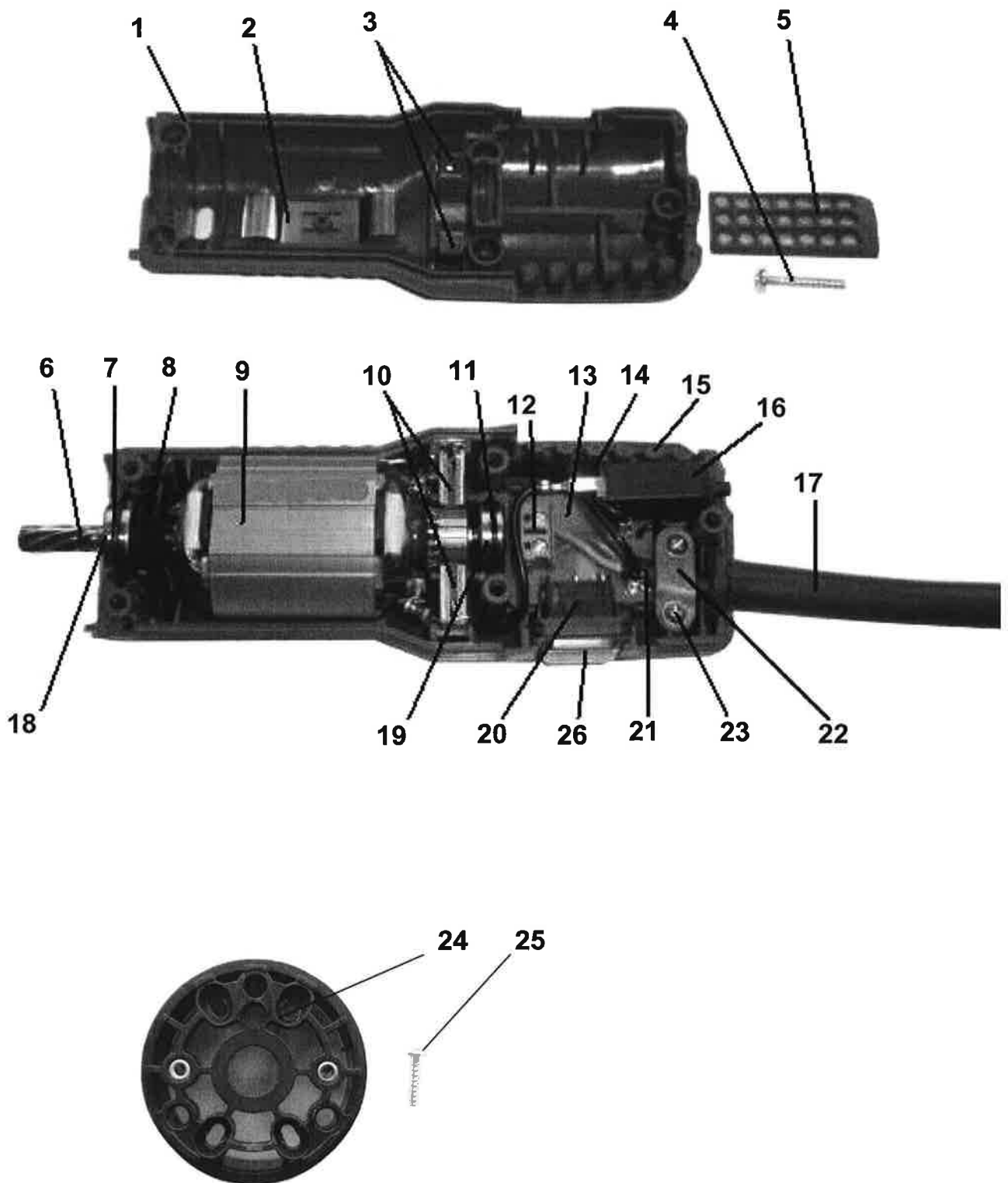
## 7 EXPLODED VIEW / SPARE PARTS

### 7.1 Shearing Head V



	<b>Teilebezeichnung</b>	<b>Bestell-Nr.</b>
1	shearing head housing (upper part)	19-0331105
2	screws M4 x 16 (2 pieces)	9004001644022
3	hand protection – top (black)	19-0331126
4	screws for combs (2 pieces)	19-0305023
5	pressure shaft	19-0331107
6	shearing head housing (lower part) with Nr. 13 / 11 / 17	19-0331122
7	eccentric roller	19-0305020
8	eccentric shaft with thread	19-0331121
9	pressure socket	19-0331106
10	disc spring	19-0331102
11	bearing	1901030514
12	pressure regulation nut	19-0331101
13	ball cup	1901030516
14	gearwheel (32 teeth) with threaded bush (long)	19-0340206
15	double gearwheel (29 / 11 teeth)	19-0340004
16	flange (black)	19-0351128
17	axle pivot	1901030512
18	safety clip 5mm	9005000053022
19	cutter	
20	comb	
21	pressure piece – right side	19-0331110
22	pressure piece – left side	19-0330111
23	spring bow	19-0330014
24	screw M3 x 8	9003000801022
25	holding spring	19-0330008
26	hexagonal nut M3	9003000034022
27	hand protection – bottom (black)	19-0351127
28	screw M4 x 55 (2 pieces)	9004005565022
29	pressure arm	19-0330016
30	bolt with ball head	19-0305017
31	disc spring	9004000009021
32	hexagonal nut M4	9004000034022
33	gearbox casing (saphirblau)	19-0351208

**Motor (Typ 1400-1-TD)**



<b>Pos.</b>	<b>Description</b>	<b>Part-No.</b>
1	motor housing – upper part (saphirblue)	19-7001222
2	flat spring	19-0300029
3	springs for carbon brushes (2 pieces)	19-0300030
4	screw 4.0 x 20 (5 pieces)	9040002000042
5	air filter, black	19-0300009
6	rotor complete	19-7001021
7	o – ring for bearing 608	19-0300024
8	fan	19-7001019
9	stator	19-7001018
10	carbon brush with spring	19-0300005
11	o – ring for bearing 626	19-3007305
12	2 – pol wire connector	19-0350219
13	circuit plate complete	19-7001014
14	ukw condenser (ex figure)	19-0350206
15	motor housing – lower part, saphirblue	19-7001220
16	motor protection switch 0.6A	19-7001023
17	cable protection	59-0020213
18	ball – bearing 608 (head side)	19-0300003
19	ball – bearing 626 (bottom side)	19-3007307
20	on and off switch	19-0350218
21	lead (cable) with plug (EURO)	19-0350216
21	lead (cable) with plug (GB)	19-0300203
22	cable clamp	19-0500033
23	screw 3.5 x 16 (2 pieces)	9035001600042
24	ventilation ring L2	19-3006506
25	screw 3.5 x 16 (4 pieces)	9035001600042
26	on and off switch cap	19-8001036